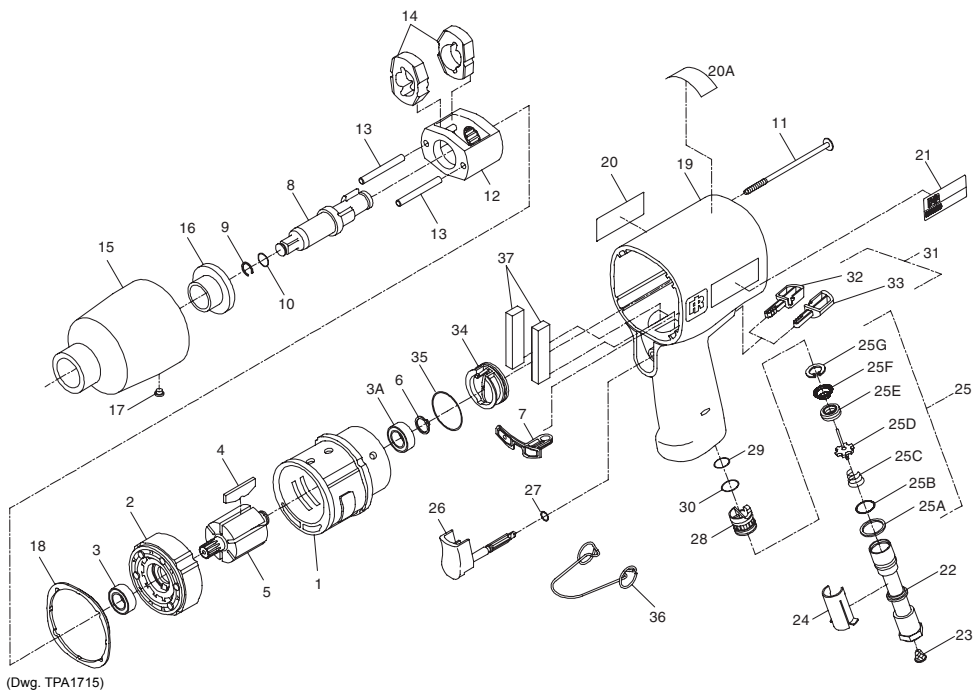


2112 and 2121 Series Air Impact Wrench Exploded Diagram



2112, 2112S, 2121 and 2121-2 Air Impact Wrench Parts List

Item	Part Description	Part Number	Item	Part Description	Part Number	
1	Cylinder	2112-3	25E	Tilt Valve Seat	---	
2	Front End Plate	2112-11	25F	Tilt Valve Seat Support	---	
†	3 Front Rotor Bearing	2131-97	25G	Tilt Valve Seat Retainer	---	
†	3A Rear Rotor Bearing	R00H-97	*	26 Trigger Assembly	2131-A93	
†*	4 Vane Packet (set of 6 Vanes)	2112-42-6	#†	27 Trigger O-ring	---	
5	Rotor	2112-53	28	Reverse Valve Assembly	2131-A329	
†	6 Rear Rotor Bearing Retainer	4E-6	#†	29 Reverse Valve O-ring (top)	---	
#†*	7 Motor Gasket	2112-283	#†	30 Reverse Valve O-ring (bottom) (blue)	---	
+	8 Anvil Assembly for 2112 and 2112S for 2121 for 2121-2	2112-A626 2112-A726 2125-A414-2	31	Button Kit	2112-K75	
			32	Forward Button	---	
			33	Reverse Button	---	
			34	Power Management Dial	2112-A249	
†*	9 Socket Retainer for 2112 and 2112S for 2121 and 2121-2	1702-425 231-425A	#†	35 Power Management Dial Seal	2112-248	
			36	Inlet Clip Removal Tool	2131-322	
†*	10 Socket Retainer O-ring for 2112 and 2112S for 2121 and 2121-2	1702-426 R1A-159	37	Silencer (4) (2112S only)	2131S-310	
			*	Grease (1 lb) (for external lubrication of the impact mechanism)	115-1LB	
+	11 Hammer Case Screw (4)	2112-638	*	Grease (for lubrication when disassembling and assembling the impact mechanism) 1 lb 8 lb	105-1LB 105-8LB	
	12 Hammer Frame Assembly	2112-A703				
13 Hammer Frame	2112-703					
14 Hammer (2)	2112-724					
15 Hammer Case Assembly	2112-727					
16 Hammer Case Bushing	2112-641					
17 Grease Fitting	D0F9-879					
#†++	18 Hammer Case Gasket	2112-36				
19 Housing Assembly	2112-A40					
20 Housing Label	2112-99					
20A Warning Label	WARNING-2-99					
21	Nameplate for 2112 for 2112S for 2121 and 2121-2	2112-301			* Hammer Kit (for 2112 and 2112S) (includes illustrated items 11 [4], 14 [2], 18, and Anvil Assembly part number 2112-A626)	2112-THK1
		2112S-301				
		2121-301				
22 Inlet Bushing Assembly	2131-A565	* Hammer Kit (for 2121) (includes illustrated items 11 [4], 14 [2], 18 and Anvil Assembly part number 2112-A726)	2121-THK1			
†	23 Inlet Bushing Screen			5RA-61		
24	Inlet Retainer Clip			2131-57		
†	25 Inlet Parts Kit			2131-K303		
25A	Washer			---		
#	25B Inlet Bushing Seal	---	* Hammer Kit (for 2121-2) (includes illustrated items 11 [4], 14 [2], 18 and Anvil Assembly part number 2125-A414-2)	2121-THK1-2		
25C	Tilt Valve Spring	---				
25D	Tilt Valve	---				

* Not illustrated.

† Indicates Tune-up Kit part.

Indicates Seal Kit part.

+ Indicates Hammer Kit Part.

* To keep downtime to a minimum, it is desirable to have on hand certain repair parts. We recommend that you stock one (pair or set) of each part indicated by a Bullet (*)

for every four tools in service.

Parts and Maintenance

When the life of the tool has expired, it is recommended that the tool be disassembled, degreased and parts be separated by material so that they can be recycled.

Tool repair and maintenance should only be carried out by an authorized Service Center.

Refer all communications to the nearest **Ingersoll-Rand** Office or Distributor.

Related Documentation

For additional information refer to:

Air Impact Wrenches Product Safety Information Manual Form 04580916,

Air Impact Wrenches Product Information Manual Form 04584660,

Air Impact Wrenches Maintenance Information Manual Form 04583977.

Manuals can be downloaded from www.irtools.com.



www.irtools.com

© 2004 Ingersoll-Rand Company

Form 04583985

Edition 1

November 2004