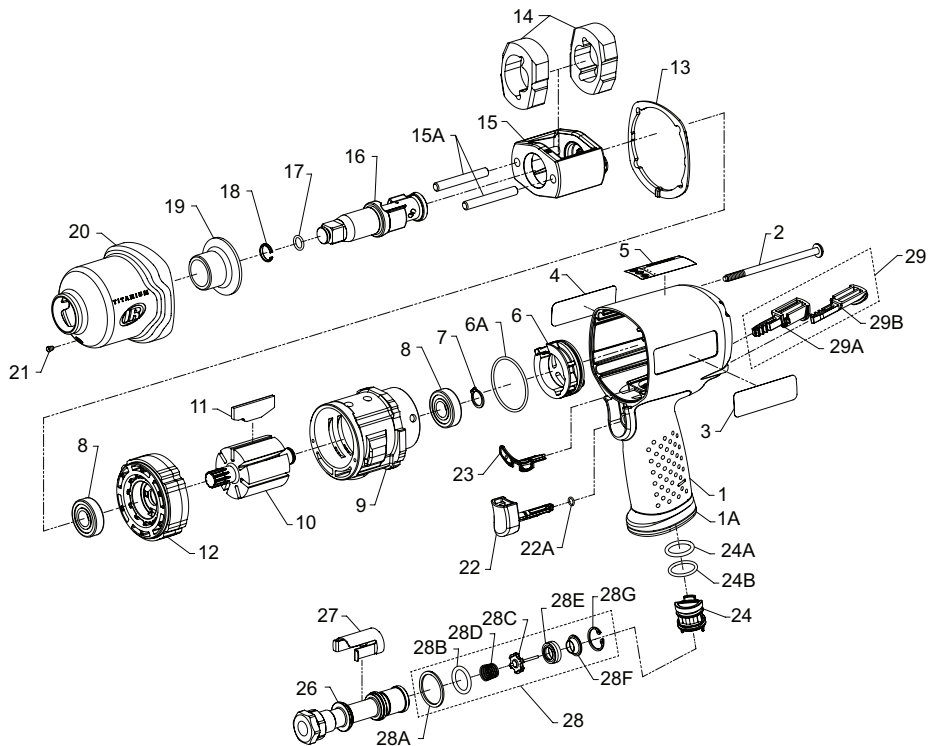


2135Ti Series Air Impact Wrench Exploded Diagram



(Dwg. TP2060-1)

2135Ti Series Air Impact Wrench Parts List

Item	Part Description	Part Number	Item	Part Description	Part Number
*	Housing Assy (2135Ti and 2135Ti-2)	2135-A40	† 17	O-Ring, Anvil (2135Ti and 2135QTi)	R1A-159
	Housing Assy (2135QTi and 2135QTi-2)	2135QTi-A40		Socket Retainer Spring (2135PTi and 2135QPTi)	5UHD-718
	Housing Assy (2135PTi)	2135PTi-A40	† 18	Retaining Clip (2135Ti and 2135QTi)	231-425A
	Housing Assy (2135QPTi)	2135QPTi-A40		Socket Retainer (2135PTi and 2135QPTi)	804-716
1	Housing	---	19	Bushing, Hammer Case	2135-941
1A	Exhaust Deflector	---	*	Hammer Case Assy	2135-D727
3	Nameplate	---	19	Bushing, Hammer Case	---
4	Information Label	---	20	Hammer Case	---
5	Warning Label	---	21	Grease Fitting	---
23	Gasket	---	21	Grease Fitting	D0F9-879
24	Reverse Valve	---	† *	Trigger Assy	2135-D93
24A	O-Ring, Reverse Valve (top)	---	22	Trigger	---
24B	O-Ring, Reverse Valve (bottom)	---	22A	O-Ring, Trigger	---
29	Button Kit	---	† 23	Gasket	2131-283
2	Screw, Hammer Case (4 required)	2135-638	*	Reverse Valve Assy	2131-A329
3	Nameplate (2135Ti, 2135Ti-2 & 2135PTi)	2135Ti-301	24	Reverse Valve	---
	Nameplate (2135QTi, 2135QTi-2, 2135QPTi)	2135Q-301	24A	O-Ring, Reverse Valve (top)	---
4	Information Label (2135Ti)	2135Ti-300	24B	O-Ring, Reverse Valve (bottom)	---
	Information Label (2135Ti-2)	2135Ti-2-300	26	Inlet Bushing Assy (incl. 27, 28)	2135-D565
	Information Label (2135QTi)	2135QTi-300	27	Inlet Clip	2131-57
	Information Label (2135QTi-2)	2135QTi-2-300	28	Inlet Parts Kit	2131-K303
	Information Label (2135PTi)	2135PTi-300	28A	Washer	---
	Information Label (2135QPTi)	2135QPTi-300	28B	O-Ring, Seal	---
5	Warning Label	WARNING-2-99	28C	Valve	---
*	Power Regulator Assy	2135-D249	28D	Spring	---
6	Power Regulator	---	28E	Seat	---
6A	O-Ring, Power Regulator	---	28F	Support	---
7	Retaining Ring	2131-6	28G	Retainer	---
8	Ball Bearing (2 required)	2131-97	29	Button Kit	2135-K75
9	Cylinder	2131-3A	29A	Forward Button	---
10	Rotor	2135-53	29B	Reverse Button	---
† 11	Vane Pack (set of 7)	2135-42A-7	*	Tune-Up Kit	2135-TK1
12	End Plate	2131-11	6A	O-Ring, Power Regulator	---
† 13	Hammer Case Gasket	2135-36	7	Retaining Ring	---
*	Hammer Kit (2135Ti and 2135QTi)	2135-THK1	8	Ball Bearing (2)	---
*	Hammer Kit (2135Ti-2 and 2135QTi-2)	2135-2-THK1	11	Vane Pack (set of 7)	---
	Hammer Kit (2135PTi and 2135QPTi)	2135PTi-THK1	13	Hammer Case Gasket	---
13	Hammer Case Gasket	---	17	O-Ring	---
14	Hammer (2)	---	18	Retaining Clip	---
15A	Hammer Pin (2)	---	22A	O-Ring, Trigger	---
16	Anvil Assy	---	23	Gasket	---
*	Kit Grease	---	24A	O-Ring, Reverse Valve (top)	---
*	Hammer Frame Assy Kit	2135-K703	24B	O-Ring, Reverse Valve (bottom)	---
15	Hammer Frame	---	28	Inlet Parts Kit	---
15A	Hammer Pin (2)	---	*	Inlet Clip Removal Tool	2131-322
*	Kit Grease	---	† *	Air Care Kit (grease gun, grease, oil)	115-LBK1
*	Anvil Assy (2135Ti and 2135QTi)	231B-A626	*	Grease (replacement tube for -LBK1)	115-4T
*	Anvil Assy (2135Ti-2 and 2135QTi-2)	231B-A414	*	Air Tool Oil (4 oz. Bottle)	1024
*	Anvil Assy (2135PTi and 2135QPTi)	231B-A726	*	Grease (1 lb can)	105-1LB
16	Anvil	---	*	Grease (8 lb can)	105-8LB
17	Socket Retainer Spring or O-Ring	---	*	Kit Grease	105-6GR
18	Socket Retainer	---			

* Not illustrated.

† To keep downtime minimum, it is desirable to have on hand certain repair parts. We recommend that you stock one (pair or set) of each part indicated by a (†) for every four tools in service.

Parts and Maintenance

When the life of the tool has expired, it is recommended that the tool be disassembled, degreased and parts be separated by material so that they can be recycled.

Tool repair and maintenance should only be carried out by an authorized Service Center.

Refer all communications to the nearest Ingersoll Rand Office or Distributor.

Related Documentation

For additional information refer to:

Air Impact Wrench Product Safety Information Manual 04580916. Air Impact Wrench Product Information Manual 04584694.

Manuals can be downloaded from www.irtools.com.



www.irtools.com

© 2006 Ingersoll Rand Company

04584033

Edition 2

May 2006